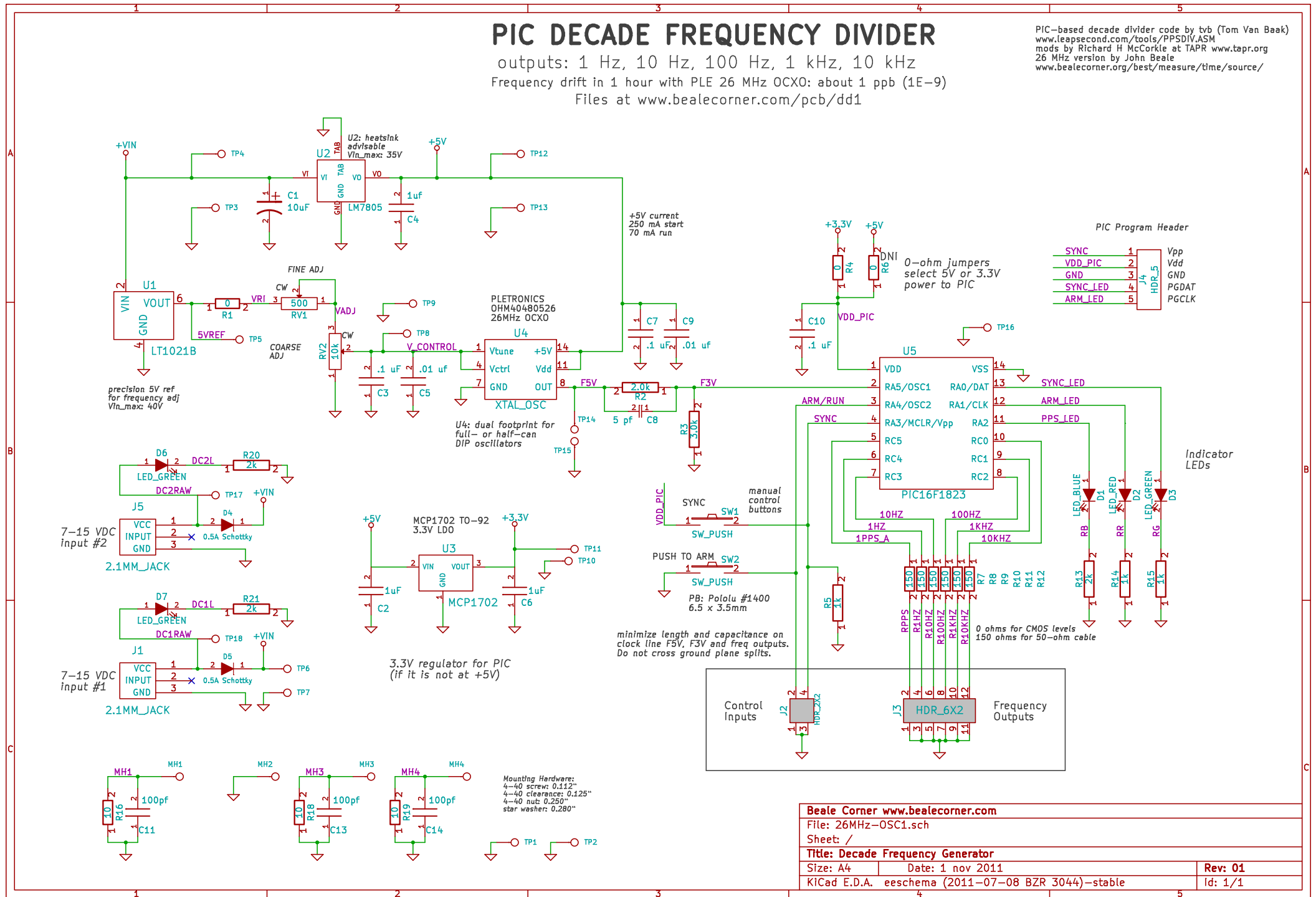


# PIC DECADE FREQUENCY DIVIDER

outputs: 1 Hz, 10 Hz, 100 Hz, 1 kHz, 10 kHz  
 Frequency drift in 1 hour with PLE 26 MHz OCXO: about 1 ppb (1E-9)  
 Files at [www.bealecorner.com/pcb/dd1](http://www.bealecorner.com/pcb/dd1)

PIC-based decade divider code by tvb (Tom Van Baak)  
[www.leapsecond.com/tools/PPSDIV.ASM](http://www.leapsecond.com/tools/PPSDIV.ASM)  
 mods by Richard H McCorkle at TAPR [www.tapr.org](http://www.tapr.org)  
 26 MHz version by John Beale  
[www.bealecorner.org/best/measure/time/source/](http://www.bealecorner.org/best/measure/time/source/)



<b>Beale Corner</b> <a href="http://www.bealecorner.com">www.bealecorner.com</a>	
File: 26MHz-OSC1.sch	
Sheet: /	
<b>Title: Decade Frequency Generator</b>	
Size: A4	Date: 1 nov 2011
KiCad E.D.A. eeschema (2011-07-08 BZR 3044)-stable	
Rev: 01	
Id: 1/1	